

### TOOLS

Tape Measure	#2 Square or Phillips Bit	Miter or Table Saw with
Speed Square	3/16" and 5/32" Drill Bits	thin kerf carbide blade
Power Drill		Masking tape, Mason's Line

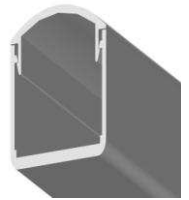
THESE ARE SUPPLEMENTAL INSTRUCTIONS, FOLLOW THE MAIN INSTRUCTIONS FOR YOUR MODEL

**1** Install posts on the top and on the bottom of the stairs. Attach a line between the posts where the top rail rails will meet the posts. Install other posts along the line. Measure the total run and the total rise of your staircase; measure or calculate angles. Many online calculators for right angles can be found on the internet.

**2** Before cutting rails and balusters make some test cuts using material scraps or a piece of lumber. Where necessary protect finish with masking tape.

**3** Measure and mark the bottom side (with pre-drilled holes) of the rails. Top rails are cut with snap-on covers attached (see Fig. 1, applies to E100 and E210). Remember that both ends are cut in the same direction. For additional recommendations see the main instructions.

Figure 1



**4** Cut balusters with the blade going through a corner, cutting off as little material as possible. Both chases will be on the same level, as shown on Fig. 2. Assemble picket sections using provided #8x1" SS screws.

Figure 2



**5** Align a Flexibracket flush with the edges of the cut rail and mark the location of the single hole, see Fig. 3. Repeat for all connections. Drill holes with the 3/16" drill bit. Temporarily attach the Flexibrackets to the rails with #10 stainless machine screws w/locknut.

Figure 3



**5** Place a sturdy plank next to the assembled section. Using a speed square mark the location of the top rail and double holes, see Fig. 4. Transfer those markings to the posts, starting with the top rail. Mark and drill holes with the 5/32" drill bit.

TOPS OF HORIZ. AND STAIR RAILS ALIGNED, EASY100 AND 210

TOPS OF POST AND RAIL ALIGNED, EASY320

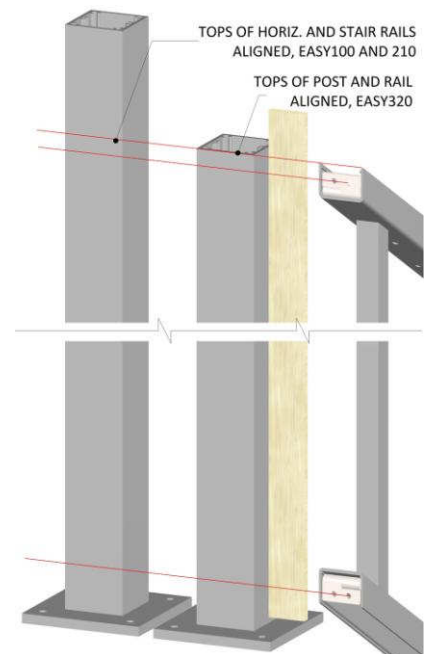


Figure 4

Remove the bottom Flexibrackets from the rails. Attach the Flexibrackets to the posts with #10x3/4" stainless screws. Secure the assembled railing section to the bottom Flexibrackets and then attach the top Flexibrackets to the posts.

6

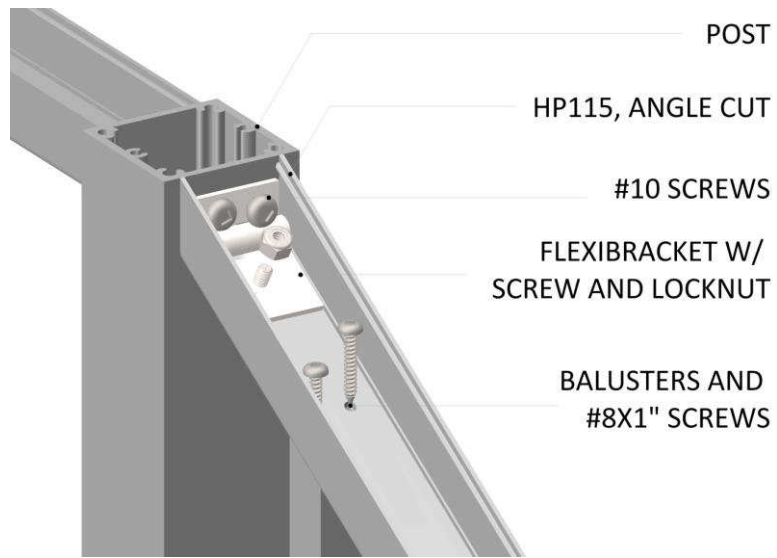


Figure 5

10

Easy100 and 210: place HP116 snap-on covers.  
Easy320: assemble and attach HR250 top rail as shown on Fig. 6.

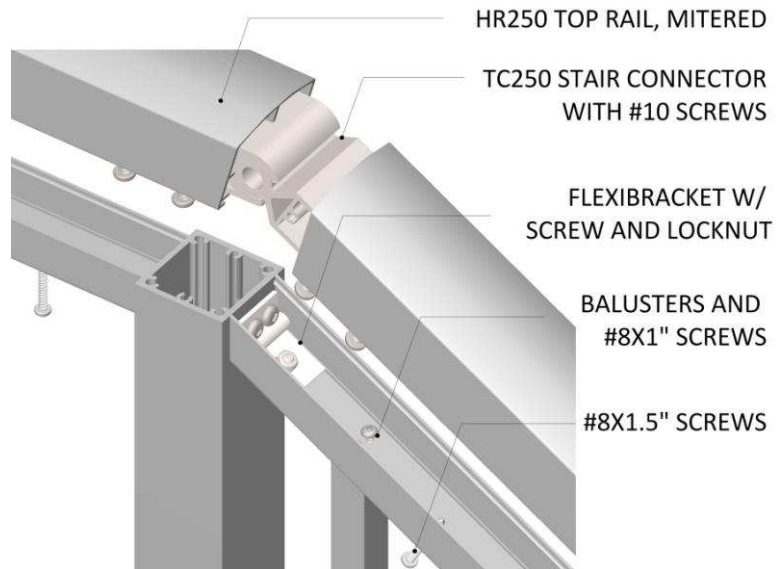


Figure 6