

**TOOLS**

Tape Measure #2 Square or Phillips Bit  
Speed Square 3/16" and 5/32" Drill Bits  
Power Drill

**SAFETY  
FIRST**

Always wear protective eyewear when using power tools. Use a safety harness if the work site is at an elevated location. It is the installer's responsibility to make sure railings are assembled and installed according to these instructions.

**1**

Examine all parts for any damage in transit. Keep the protective wrap for as long as practical during the assembly. Examine Fig. 1 and 2 below noting the location of parts and dimensions. **READ ALL THE INSTRUCTIONS BEFORE STARTING!**

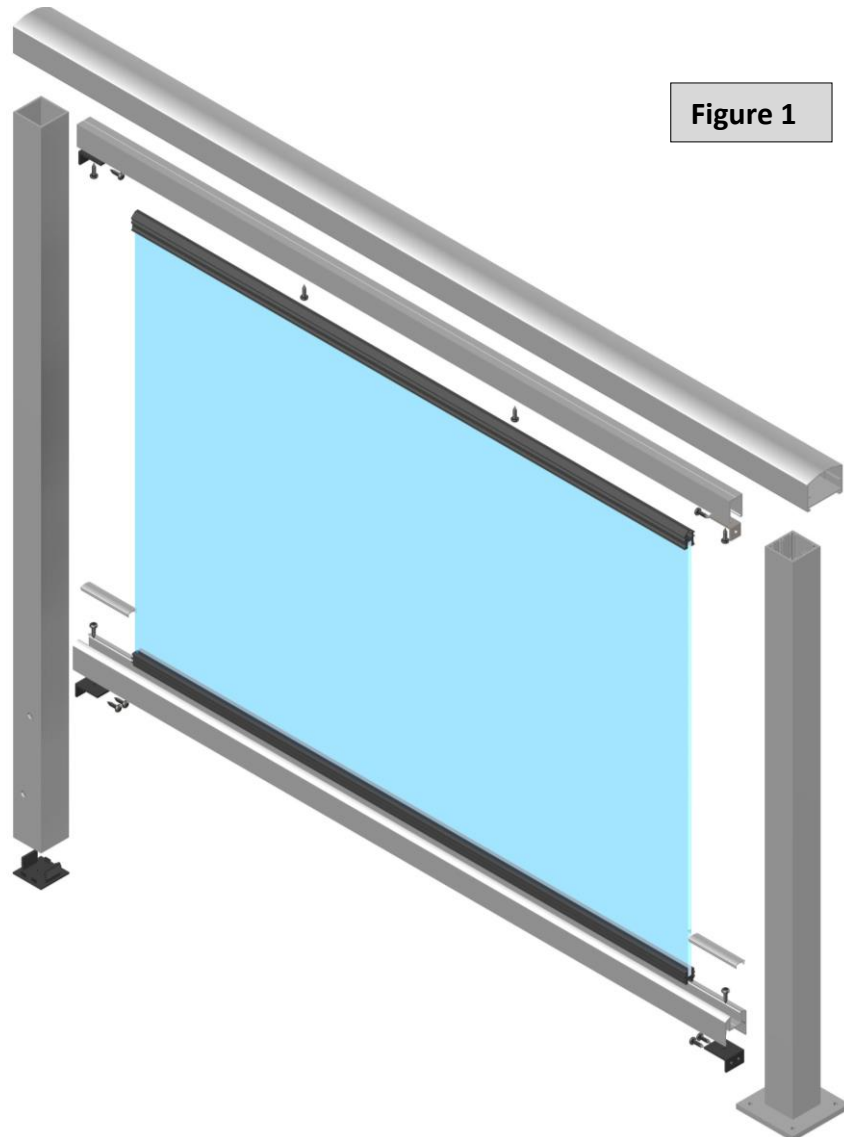


Figure 1

**2**

Determine and mark posts locations. Maximum spacing for full-size sections is 48" (on centers). Measure accordingly for shorter sections. Trim posts if needed, the total lengths should be: **42"H**: Deck post: 40 1/4"; Fascia post: 50 1/4". **36"H**: Deck post: 34 1/4"; Fascia post: 44 1/4". **DO NOT TRIM POSTS FOR STAIRS YET.**

**3**

**ATTENTION!** Posts must be attached to framing members. Install blocking for each post location, see <http://www.easyrailings.com/installation/>. Attach posts with appropriate stainless steel fasteners. Do not tighten fasteners yet. If your deck is built with ACQ lumber, a barrier between

post surfaces and the deck is needed.

**Deck mount posts:** The surface under post flanges must be flat. Holes in the flange can be drilled out for 1/4" fasteners if necessary. All fasteners must be attached perpendicular to the flange.

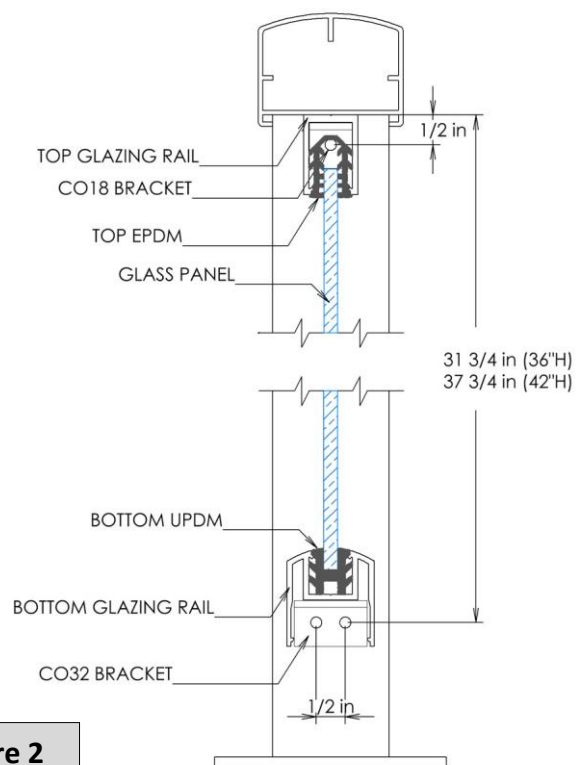
**Fascia posts:** Start with external corner posts if applicable, see corner brace assembly guide at the link above. Make sure posts are at the same height above the deck, with the bottom 10" part of the post below the deck level. Insert plastic plugs into the bottom ends of the posts. Make sure all posts are plumb.

- 4** Lay out and assemble HR250 Top Rails. If needed standard length materials can be cut to size with a table or a miter saw, thin kerf carbide blade. Start assembly at corners using appropriate connectors included in your order, see "*CONNECTORS FOR HR250 TOP RAILS*". For spans over 8' assemble rails using Splice Connectors.

- 5** Install Glass Panels. If necessary cut Top and Bottom Glazing Rails. On the Post drill pilot holes as shown on Fig. 2. On both ends of the Top and Bottom Rail drill holes 3/4" from the edge. Place the bottom EPDM rubber seal into the Bottom Rail, and slide the top EPDM seal onto the top edge of a Glass panel.

With a helper's assistance, insert the Glass panel into the Bottom Rail. Soapy water will make the assembly easier. Attach the upper CO18 and the lower CO32 brackets to the post. Fasten the Bottom Rail to the lower brackets, making sure the Rail is level. Slide the Top Glazing Rail onto the Glass. Secure the Top Rail to the bracket with a #10 screw.

Alternatively assemble the aluminum frame first. Insert the bottom EPDM, and slide the top EPDM seal onto the top edge of a Glass panel. Push the Glass Panel up into the Top Glazing Rail and then drop it into the bottom EPDM. Make sure both EPDM seals deploy and secure the glass as shown.



- 6** Cut the Channel Covers to length and snap them in place. Remove any remaining protective film, check and tighten all connections.

- 7** Fasten Top Rail ends to structures using Wall Brackets or cover open ends with End Covers. For picket stair installation see "*STAIR SECTION ASSEMBLY E100-320*".