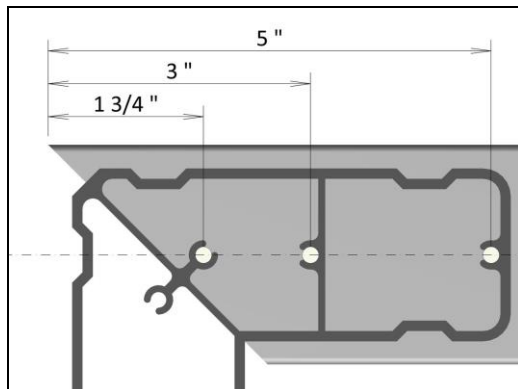


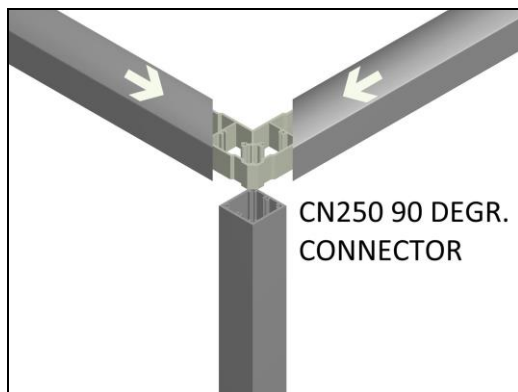
SPLICE CONNECTORS

Where needed connect rails with SC250 splice connectors. Insert the connector 4" into one of the handrails. Drill a pilot hole through the bottom of the handrail and the connector; fasten with a 10 x 3/4" screw. Repeat, 2 screws per side.

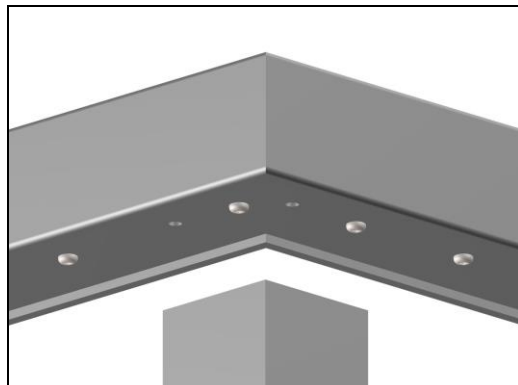


90 DEGREE CORNERS

Miter rails at 45°; drill at least two 3/16" dia pilot holes along the center line on the bottom surface as shown. When choosing the two hole locations note the position of other hardware to be attached to the same post.

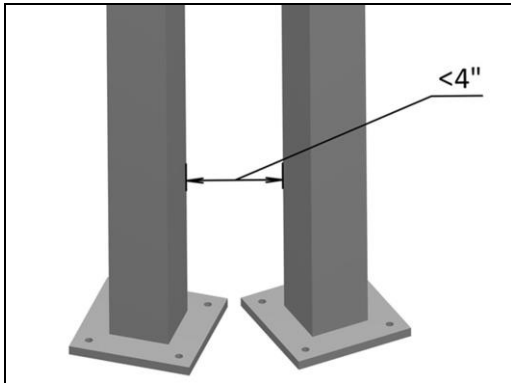


Insert the connector. CN250 connectors can be installed over a single post or used in a double-post configuration.

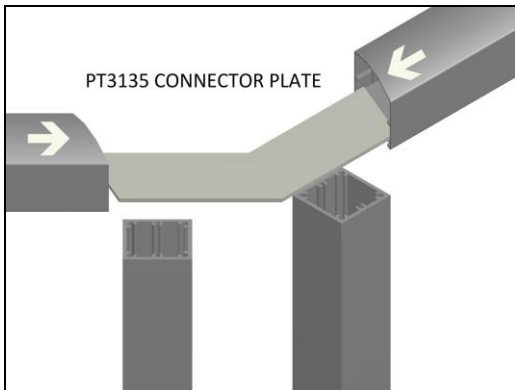


Drive at least two 10x3/4" screws per side through the pilot holes into the screw channels in the connector. Attach to the post with appropriate brackets (not shown).

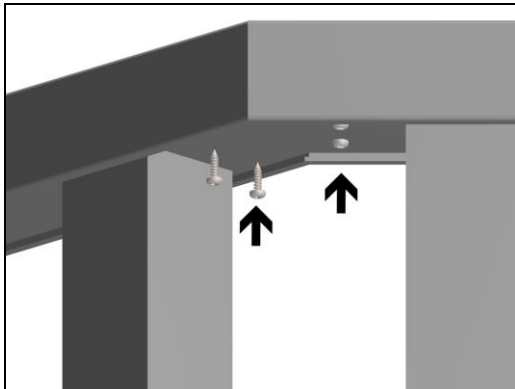
135 DEGREE AND CUSTOM ANGLE CORNERS



Install two posts, the opening between the posts must be less than 4".



Cut rails at 22.5°, or calculate the degree for custom angles. Insert a connector plate and position the handrails.



Drill pilot holes through the handrails and the plate; attach one side with two #10x3/4" screws. Align the handrails and fasten the other side. Attach to the posts with appropriate brackets (not shown).